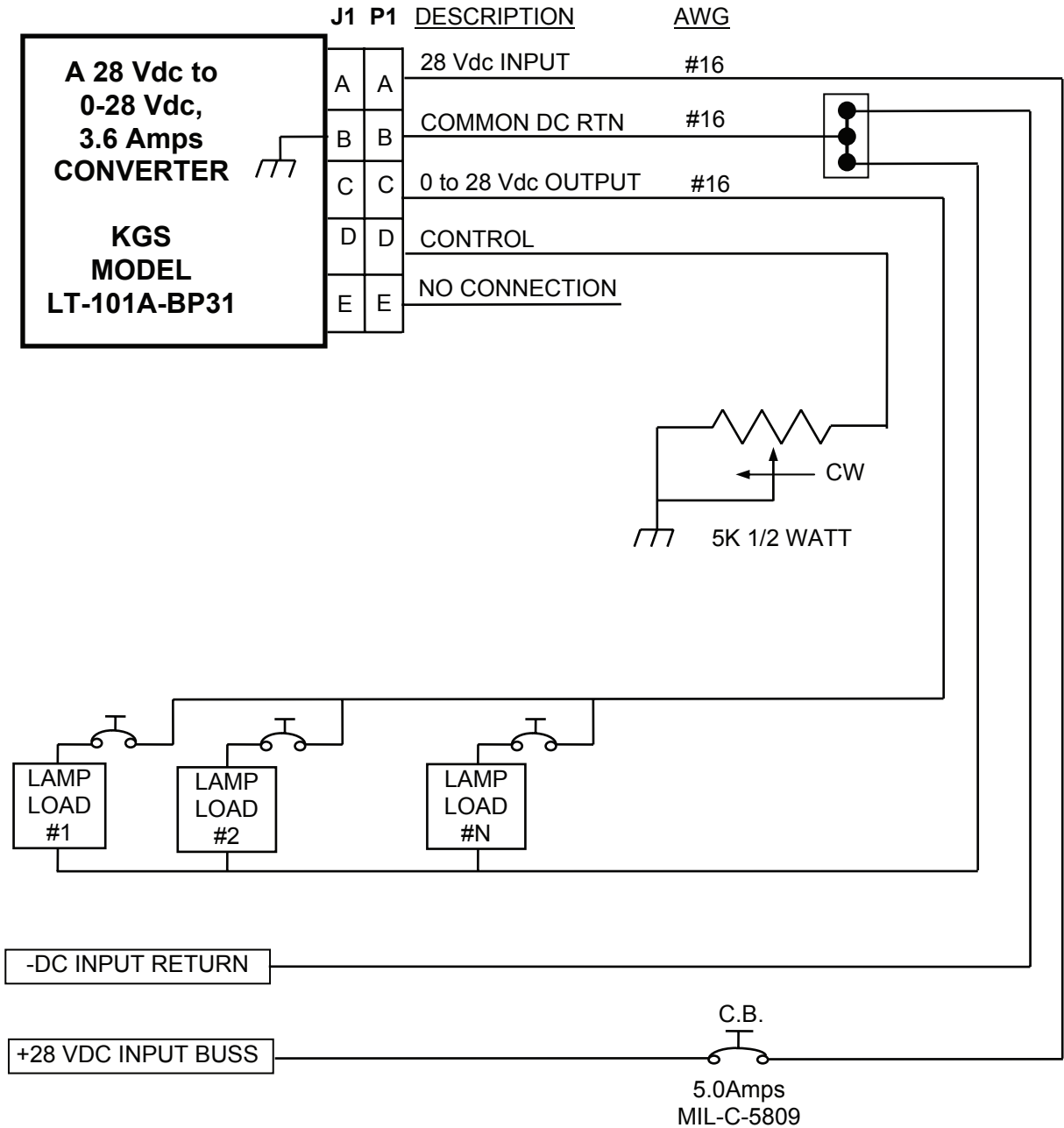


# LT-101A-BP-31

REGULATED 28/14VDC TO DC POWER CONVERTER  
FAA TSO-C71

## External Wiring



**NOTES:**

1. J1 mates with KPT06A-14-5S or equivalent.
2. Input circuit breaker should be selected based on actual loading & external input wire length/size.

**Figure 2 Suggested Hook - Up**

