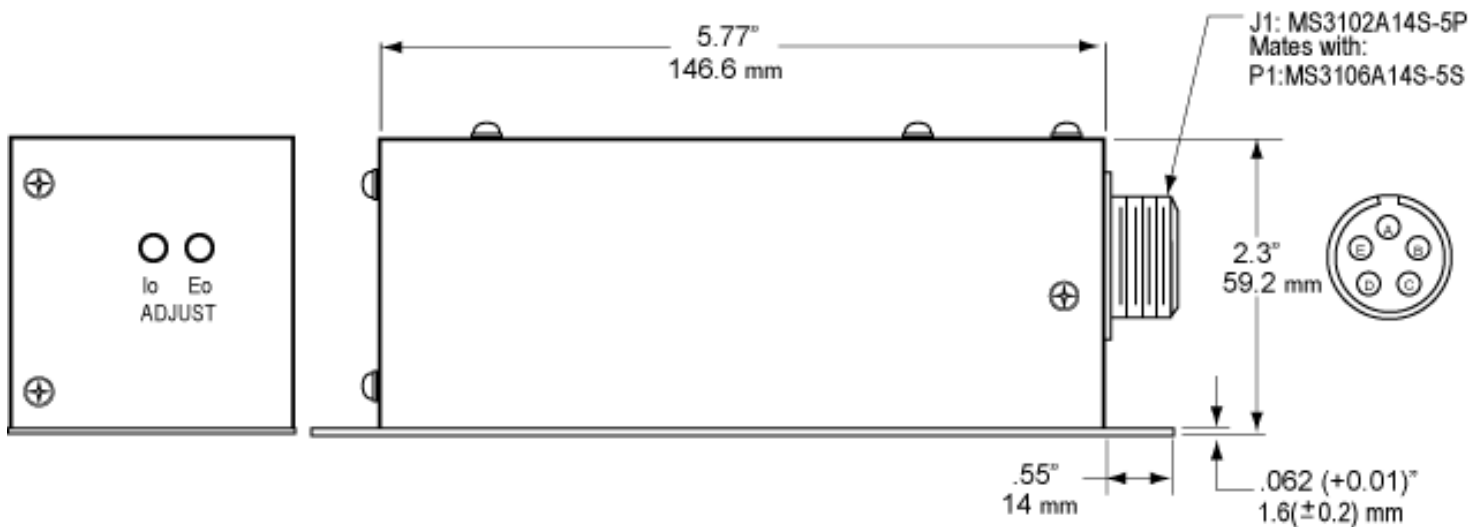
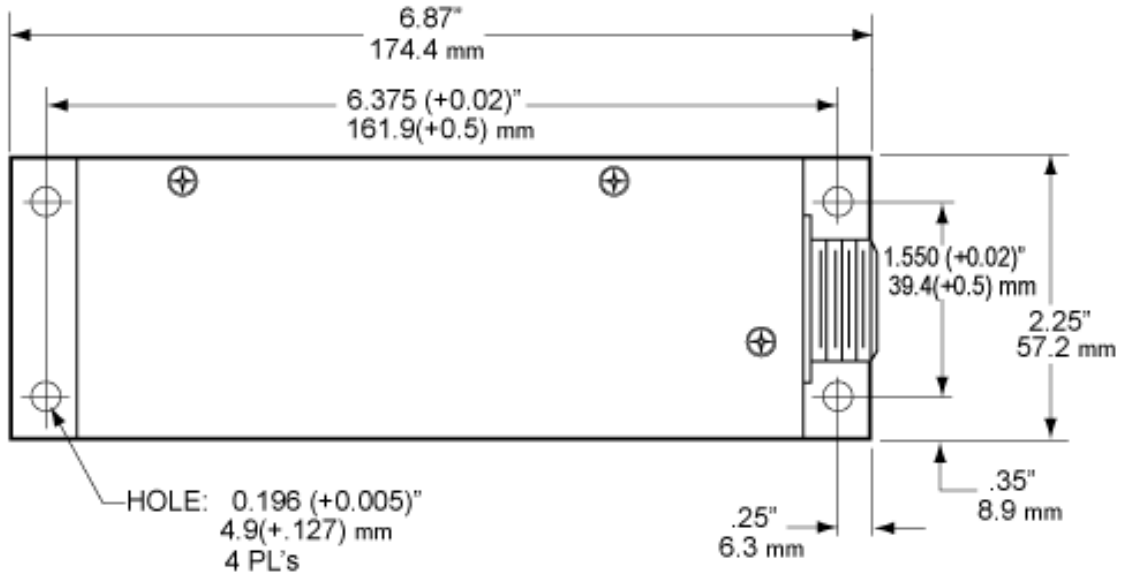


BC14, BC28

REGULATED DC TO DC POWER CONVERTER
Battery Charger Converter

Outline Drawing



electronics