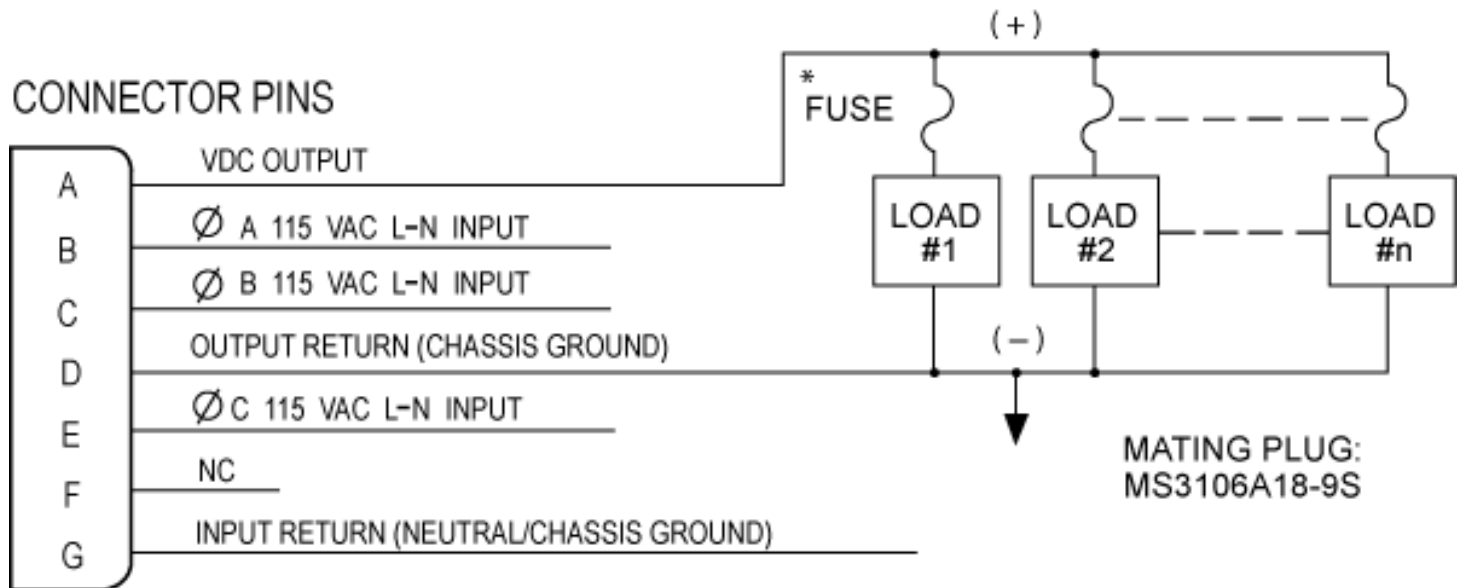


# SRP500-14

REGULATED AC TO DC POWER CONVERTER

## Suggested Hook-up



\* RATING OF PROTECTIVE ELEMENT SHOULD CLEAR  
IN THE EVENT OF A LOAD SHORT

**kgs**

**electronics**

418 East Live Oak Avenue, Arcadia CA 91006-5619 USA ■ Phone: 626-574-1175 ■ Fax: 626-574-0553 ■ info@kgselectronics.com