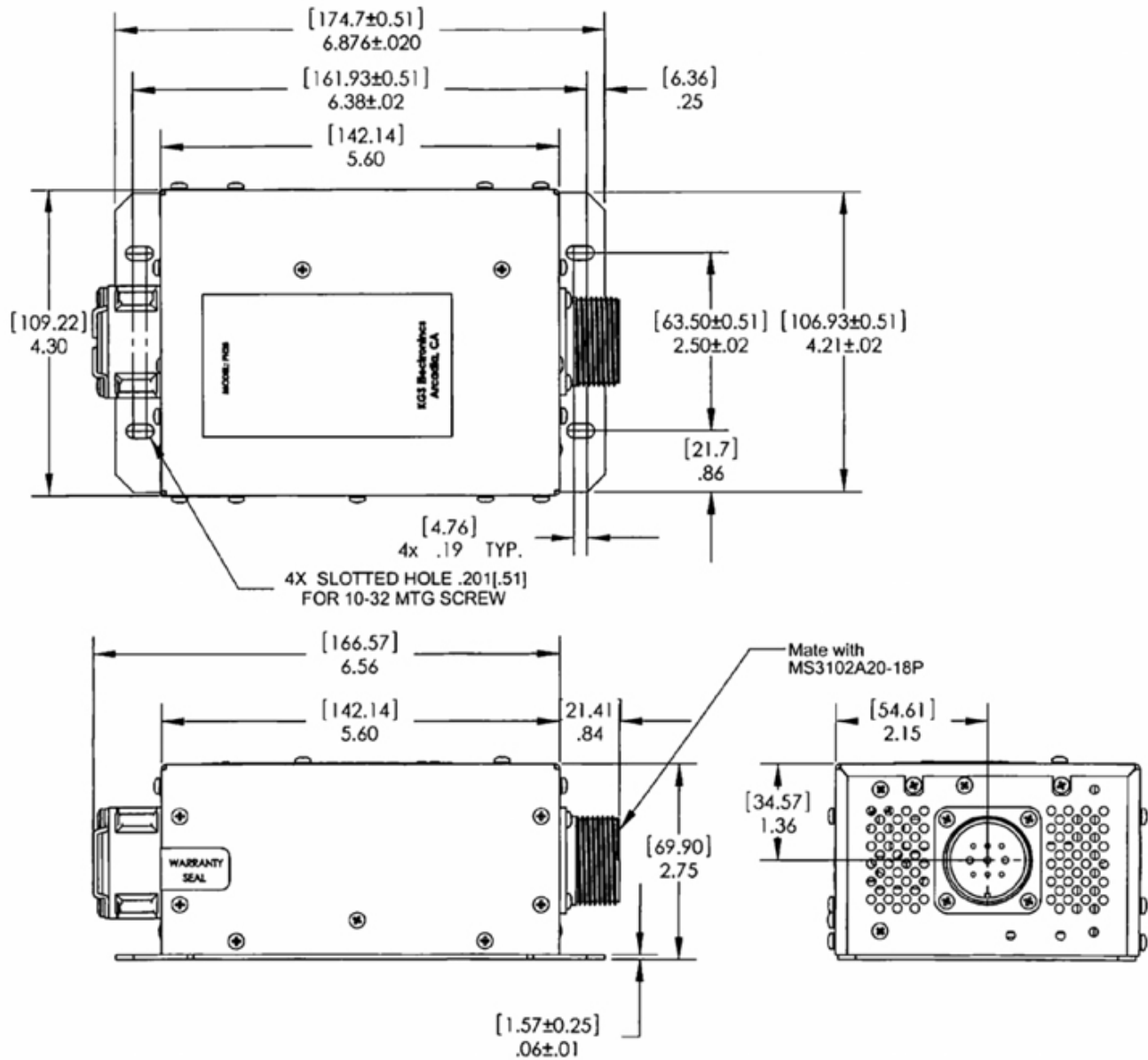


PH28

REGULATED AC TO DC CONVERTER
(115V/400Hz to 4-28 Vdc Output)

Outline Drawing



electronics